

# Husqvarna

# VIKING

## Parts list

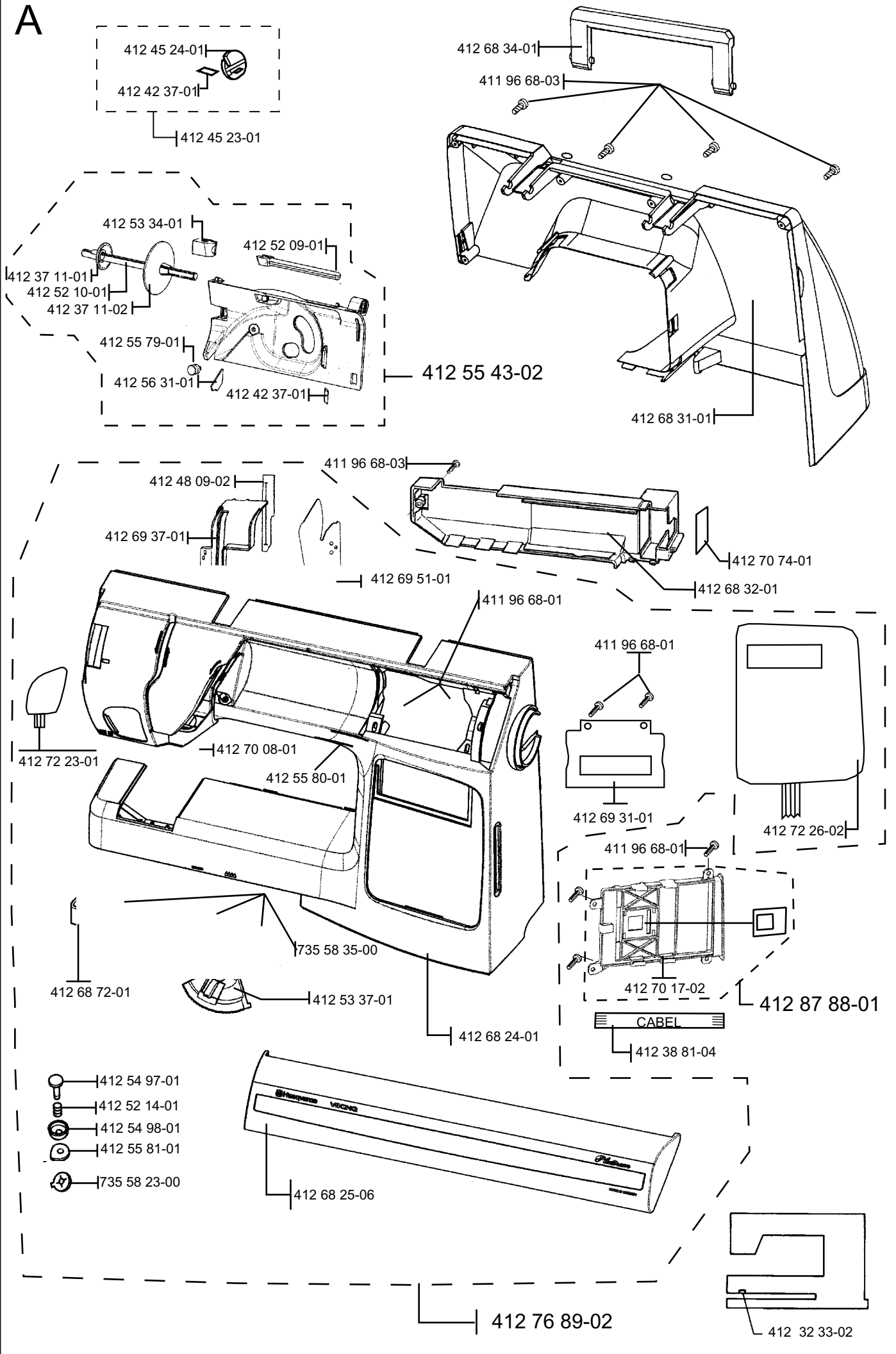


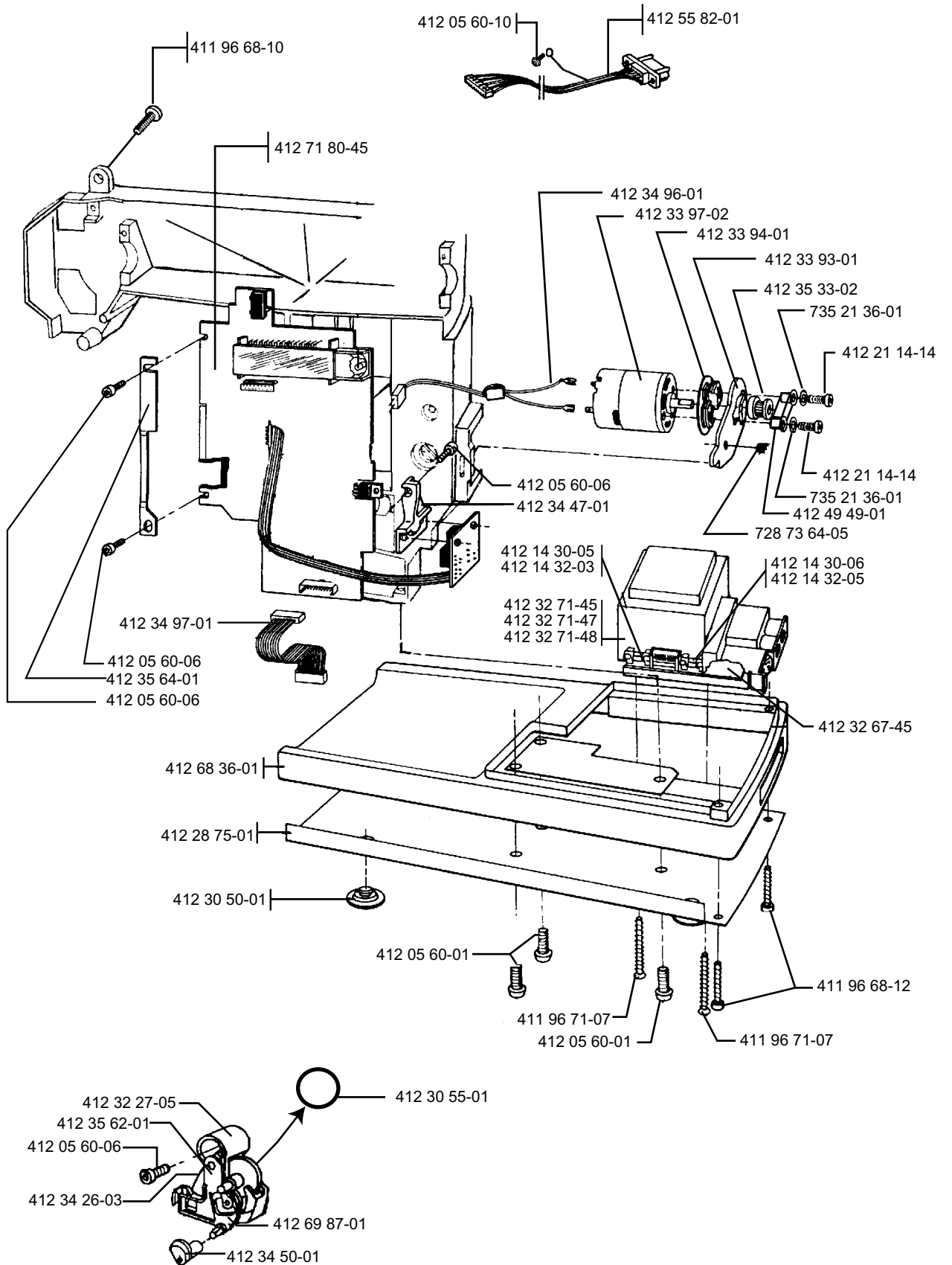
# PLATINUM 950E

Part no	Description	Page	Part no	Description	Page
411 72 10-01	Washer	C	412 34 97-01	Cable for PC-board	B
411 78 10-03	Light bulb	E	412 35 26-01	Washer	H
411 96 68-01	Screw	A,E,M,N	412 35 31-01	Thread tension set	L,J
411 96 68-03	Screw	A,F	412 35 33-02	Driving wheel compl.	B
411 96 68-04	Screw	E	412 35 42-01	Pulley	H
411 96 68-07	Screw	M	412 35 62-01	Pin	B
411 96 68-08	Screw	M	412 35 64-01	Holder	B
411 96 68-10	Screw	B	412 36 14-01	Opener, stitch plate	L
411 96 68-12	Screw	B	412 36 83-04	Arm shaft	G
411 96 68-21	Srew	E	412 36 84-01	Cog belt	G
411 96 68-25	Screw	F	412 36 87-01	Pin	G
411 96 71-07	Screw	B	412 37 11-01	Thread reel disc 20 mm	A
411 96 72-04	Screw M 3*6	M	412 37 11-02	Thread reel disc 40 mm	A
411 96 72-12	Screw	J	412 37 82-01	Nut	C
411 96 73-06	Screw 25*6	N	412 38 42-02	Cog wheel	M,N
411 96 81-01	Screw	D	412 38 43-01	Washer	J,M,N
411 98 14-01	Washer	O	412 38 81-04	Flex cable	A
412 00 13-01	Washer	D	412 39 12-01	Spring presserfoot lifter	E
412 05 60-01	Screw M5*14	B	412 39 47-01	Washer	D
412 05 60-04	Screw M3*6	I,M	412 39 90-01	Nut	O
412 05 60-06	Screw M4*12	B,D,G,H,I	412 40 97-01	Screw	F
412 05 60-07	Screw M4*16	J	412 41 12-01	Ankle	F
412 05 60-10	Screw	B	412 42 37-01	Thread knife	A,C
412 05 60-11	Screw M3*5	C,D,J,M,N	412 44 40-02	Hook	D
412 05 60-12	Screw M 4*6	M,N	412 44 44-01	Cog wheel	D
412 14 30-05	Fuse 6.3 A/250 V	B	412 44 68-01	Screw	O
412 14 30-06	Fuse 2 A/250 V	B	412 44 69-01	Grip 150x240	O
412 14 32-03	Fuse 3.5 A/250 V (USA)	B	412 45 23-01	Thread knife	A
412 14 32-05	Fuse 2 A/250 V (USA)	B	412 45 24-01	Holder, thread knife	A
412 15 78-01	Cord device, stand.	K	412 45 46-01	Crank arm	J
412 15 79-03	Cord device, USA, Can.	K	412 45 55-01	Spring	J
412 15 80-02	Cord device, England	K	412 45 56-01	Adjusting sleeve	J
412 15 81-01	Cord device, Australia	K	412 45 57-01	Bracket and lever	J
412 15 98-01	Spring	K	412 54 58-01	Sensor	J
412 18 45-01	Foot	K	412 45 59-01	Plugg, Thread tension	J
412 21 14-01	Screw	E,J	412 45 60-01	Thread sensor board cabel	J
412 21 14-03	Screw, toxz M3*8	F	412 45 64-01	Cog wheel	J
412 21 14-06	Screw	F	412 45 68-01	Guide	J
412 21 14-11	Screw	D	412 45 69-01	Gear segment	J
412 21 14-14	Screw, toxz M4*16	B	412 45 70-02	Stepmotor Thread tension	J
412 22 98-01	Locking nut	I	412 45 72-01	Cog wheel	J
412 28 19-02	Screw	C,E	412 45 74-01	Gear Rack	J
412 28 54-02	Presser bar	F	412 45 83-01	Plug	J
412 28 75-01	Base plate	B	412 45 91-01	Hook cover, window	D
412 28 79-01	Screw	D	412 46 44-01	Adjusting screw, thread tension	D
412 30 06-01	Driver	G	412 46 45-01	Screw, thread tension	D
412 30 07-01	Spring	G	412 47 16-01	Thread tension compl.	D
412 30 08-01	Pulley	G	412 47 73-01	Bobbincase holder	D
412 30 09-02	Hand wheel	G	412 48 09-02	Protector, take up	A
412 30 16-01	Lirk	J	412 48 85-03	Cable holder	J
412 30 21-01	Locking washer	J	412 48 86-02	Cable holder	J
412 30 30-01	Guide arm	E	412 48 87-01	Cog wheel cpl	J
412 30 50-01	Foot	B	412 49 49-01	Distance sleeve	B
412 30 55-01	Rubber ring	A	412 50 06-01	Bearing	E
412 30 66-01	Shuttle shaft	D	412 50 08-01	Gear segment	F
412 30 74-01	Damper	D	412 50 09-01	Spring	F
412 31 44-01	Cable standard	K	412 50 10-01	Spring	F
412 31 44-02	Cable USA, Can, Japan	K	412 50 11-01	Lirk	F
412 31 60-49	Pin	N	412 50 15-01	Bearing	E,F
412 31 69-01	Spring	F	412 50 19-01	Back holder - Needle threader	F
412 31 79-01	Clutch	G	412 50 20-01	Front holder - Needle threader	F
412 31 81-01	Clamp, lower shaft	D,H	412 50 21-01	Needle threader	F
412 31 84-01	Bushing, feed dog	C	412 50 22-01	Setting plate	F
412 31 89-01	Control Unit	K	412 50 23-02	Eccentric / needle adj,	F
412 32 27-05	Bobbin winding	B	412 50 24-01	Cross head compl.	F
412 32 33-02	Sealing washer	A	412 50 27-01	Calibration stop	E
412 32 34-09	Step motor, feeding	I	412 50 46-01	Wedge	F
412 32 34-10	Step motor, sewing head	E	412 50 47-01	Clamp ring	E,F
412 32 45-03	Thread tension device	J	412 50 48-01	Clampring	E
412 32 47-01	Lever thread tension	J	412 50 52-01	Plate	F
412 32 49-01	Screw thread tension	J	412 50 55-02	Frame - lower	F
412 32 50-01	Spring holder	J	412 50 72-01	Spring	I
412 32 67-45	PC-board transformer	B	412 51 36-02	Feed dog cpl,	C
412 32 71-45	Transformer 220-240 V	B	412 51 37-01	Guide cpl with carrier	C
412 32 71-47	Transformer 120 V	B	412 51 43-01	Guide blocks	C
412 32 71-48	Transformer 100 V	B	412 51 44-01	Feed carriage	C
412 32 79-01	Lamp cabel	F	412 51 49-01	Spring	C
412 32 84-01	Clamp	D,G,H	412 51 53-01	Spring	C
412 33 62-01	Cog Gear	E	412 51 54-01	Feed Lift	C
412 33 93-01	Attachment, motor	B	412 51 55-01	Spring	C
412 33 94-01	Muffler, motor	B	412 51 56-01	Stop ring	C
412 33 97-02	Motor 24 V	B	412 51 63-01	Worm gear	H
412 34 26-03	Spring	B	412 51 68-02	Lower shaft compl.	H
412 34 45-01	Holder		412 51 69-01	Eccentric feed	H
412 34 47-01	Holder	B	412 51 70-01	Distance	H
412 34 50-01	Eccentric	B	412 52 09-01	Thread holder	A
412 34 54-01	Cog belt	G	412 52 10-01	Reel pin	A
412 34 60-01	Stop ring	H	412 52 14-01	Spring	A
412 34 81-01	Spring	I	412 52 40-01	Step motor Y-unit compl	N
412 34 82-01	Setting screw	I	412 52 42-01	Cable, entroidisary unit	M
412 34 85-01	Joint cross	I	412 52 46-01	Cog wheel, large	M,N
412 34 88-01	Fastener, spring	I	412 52 48-01	Holder, X-cog belt	M
412 34 96-01	Cablage motor	B			

Part no	Description	Page	Part no	Description	Page
412 52 49-01	Adjuster, belt tension	M	412 70 74-01	Cover X-Y part	A
412 52 53-01	Holder, Y-cog belt	N	412 70 80-01	Accessory box	L
412 52 54-02	Sensor Em. Frame	N	412 70 81-01	Cover accessory box	L
412 52 55-01	Cog belt, Y-unit	M	412 70 82-01	Locking snap, Acc box	L
412 52 61-01	Circuit board	N	412 70 83-01	Inside tray, Acc box	L
412 52 64-03	Frame Y-unit	N	412 70 98-01	Spring	L
412 52 65-02	Button	N	412 71 80-45	PC-board Platinum plus	B
412 52 66-01	Spring	N			
412 52 67-01	Cog belt	N	412 71 85-01	Screw	F
412 52 71-01	Embroidery hoop 150x240	O	412 71 92-01	Micro switch	E
412 52 79-01	Cover, X-unit	N	412 72 02-01	Upper cover, X-unit	M
412 52 85-01	Guide rail	M	412 72 03-01	Lower cover, X-unit	M
412 52 97-01	Friction tape	M	412 72 04-01	Step motor cover, Y-unit	M
412 53 30-01	Stitchplate	D	412 72 05-01	Locker, Embroidery unit	M
412 53 34-01	Reel pin holder	A	412 72 14-01	Spring	M
412 53 37-01	Knob feed dog lowering	A	412 72 23-01	Foil key board sewing head	A
412 53 66-01	Pin, feed dog lowering	M	412 72 26-02	Main foil key board	A
412 53 74-01	Embr templet 100x100	O	412 72 76-01	New U-Foot	L
412 53 75-01	Embr templet 150x240	O	412 72 89-01	Attachment stepmotor	J
412 54 02-01	Feeding step motor cpl,	I	412 73 23-01	Screw	F
			412 75 31-01	Hook cover	D
412 54 06-01	Calibration stop	I	412 76 68-01	Plastic bag with access. Platinum plus	L
412 54 07-01	Damper	I	412 76 85-02	Sewing head compl.	E
412 54 08-01	Cog wheel	I	412 76 89-02	Front cover Qpl	A
412 54 10-01	Shaft	I	412 77 34-01	Foot control compl.	K
412 54 37-01	Adjusting Nut	J	412 77 63-01	Design Book Platinum Plus	O
412 54 64-01	Calibration lever	M, N	412 80 24-01	Foot pedal-entry	K
412 54 65-01	Holder	N	412 87 88-01	d-Card holder Qpl.	A
412 54 97-01	Tap thread guard	A			
412 54 98-01	Washer	A	721 41 69-70	Pin	I
412 55 01-01	Bobbin case compl.	D	721 41 87-70	Pin	G, H
412 55 39-02	Cable holder, X-unit	M	721 42 10-10	Pin	H
412 55 43-02	Bobbin winding cover cpl,	A	725 52 20-05	Screw M3*6	I
412 55 57-01	Spring	N	725 52 28-05	Screw	F
412 55 79-01	Bobbin winding excenter	A	728 52 17-05	Screw M3*3	E, I
412 55 80-01	Thread support	A	728 52 19-05	Stop screw	F
412 55 81-01	Washer	A	728 52 22-05	Screw	F
412 55 82-01	Cabel X-Y	B	728 52 83-05	Srew	C
412 55 83-01	Holder	N	728 52 85-05	Screw M4*6	F
412 55 84-01	Damper-upper shaft	G	728 52 87-05	Screw M4*8	D
412 55 85-01	Connecting board	M	728 53 20-05	Screw M5*5	G
412 56 15-45	Plastic bobbins (10-pac)	D, K	728 58 23-00	Locking washer	
			728 73 20-01	Screw	G
412 56 18-01	Step motor comp.	M	728 73 64-05	Screw 6*10 mm	B
412 56 31-01	Thread support	A	728 82 83-05	Screw M4*4	G, H
412 56 39-01	Cover X-unit	M	731 43 10-21	Nut	F
412 56 54-01	Accessories	O	734 11 23-71	Washer	J
412 56 58-01	Zipperbag	O	735 11 25-41	Washer	F
412 56 85-01	Dust cover	D	735 21 36-01	Locking washer	B
412 56 86-01	Adjusting washer	D			
412 57 01-01	Sleeve, Lamp	L	735 31 06-20	C-washer	J
412 57 97-01	Grip 100x100	O	735 31 08-20	C -Washer	D, J, M, N
412 58 17-02	Needle bar compl.	F	735 31 10-20	C- Washer	M, N
412 58 19-01	Guide	F	735 58 05-10	Locking washer	E
412 58 18-01	Needle clamp	F	735 58 23-00	Locking washer	A
412 59 00-02	Cover	N	735 58 35-00	Locking washer	A
412 60 01-01	Needle bar frame	F	735 58 55-00	Washer	G
412 60 03-01	Thread take up	E	735 61 18-40	C-washer	F
412 61 92-02	Frame Y-unit	N	735 61 24-40	Compression ring 3mm	E, J
412 62 88-01	Shaft	M	735 61 36-40	C-washer	E
412 62 89-01	Shaft	N	735 61 53-40	Compression ring 6mm	E
412 62 90-01	Bearing	M	PRESSERFEET		
412 64 89-02	d-Card 100-2	O	411 73 95-01	Edge guide G	L
			411 85 30-01	Presser foot H	L
412 64 89-05	d-Card 100-5	O	412 00 16 -01	Presser foot decorative stitches	L
412 65 18-01	Bag with 10 Hoop clips	O	412 61 76-01	Presser foot A	L
412 68 24-01	Front cover empty	A	412 37 08-01	Quilting foot P	L
412 68 25-06	Lid cover	A	412 38 01-01	Presser foot B	L
412 68 29-01	Support	D	412 38 02-01	Buttonhole foot C	L
412 68 31-01	Back cover	A	412 38 04-01	Presser foot D	L
412 68 32-01	Free arm cover	A	412 38 05-01	Zipper foot E	L
412 68 34-01	Handle	A	412 38 06-01	Presser foot J	L
412 68 36-01	Base plate	B	412 40 80-01	Button hole sensor, comp.	L
412 68 37-01	Hard cover	L			
412 68 38-01	Accessory box	L	Users Guide		
412 68 47-01	Presser bar guide cpl,	F	412 75 08-01	Users Guide Swe	L
412 68 49-01	Frame	E	412 75 08-06	Users Guide Dan	L
412 68 50-01	Regulating dial	E	412 75 08-10	Users Guide Jap	L
412 68 51-01	Spring-Presser bar	F	412 75 08-11	Users Guide Fin	L
412 68 52-01	Presser bar lifter	E	412 75 08-21	Users Guide Nor	L
412 68 63-01	Feed dog compl,	C	412 75 08-26	Users Guide Eng	L
412 68 64-01	Feed dog	C	412 75 08-31	Users Guide Fra	L
412 68 72-01	Shaft-feed dog lowering	A	412 75 08-36	Users Guide Holl	L
412 68 76-01	Aluminium foil	G	412 75 08-41	Users Guide Ita	L
412 69 31-01	Window / Front cover	A	412 75 08-51	Users Guide Germ	L
			412 75 08-56	Users Guide Russ	L
412 69 36-01	Spring	E	412 75 08-82	Users Guide Pol	L
412 69 37-01	Screen	A	412 75 08-90	Users Guide Cz	L
412 69 51-01	Thread guide	A			
412 69 65-01	Connector sensor	E	ACCESSORIES		
412 69 87-01	Adjusting arm	B	401 53 99-01	Buttonhole knife	L
412 69 94-02	Thread tension unit Qpl.	J	401 55 55-01	Brush	L
412 69 93-01	Adjustment dial	J	411 17 32-01	Clearance plate	L
412 69 97-01	Screen - Stopright func	H	412 08 38-47	Marking pen, neutral	L
412 70 08-01	Thread guide	A	412 56 15-45	Bobbins (10)	L
412 70 17-02	D-card holder	A	412 36 14-01	Stitch plate opener	L
			412 38 15-01	Screw driver	L
			412 62 09-01	Grip aid	L

A





C

412 51 36-02

412 68 63-01

412 51 37-01

412 31 84-01

412 37 82-01

412 51 43-01

412 51 44-01

412 51 55-01

412 51 54-01

411 72 10-01

412 51 56-01

411 72 10-01

728 52 83-05

412 51 49-01

412 05 60-11

412 28 19-02

412 28 19-02

412 51 53-01

411 72 10-01

728 52 83-05

D

412 53 30-01

412 45 91-01

412 47 73-01

412 42 37-01

412 28 79-01

411 96 81-01

412 28 79-01

412 75 31-01

412 30 74-01

412 21 14-11

412 05 60-11

412 21 14-11

412 68 29-01

412 55 01-01

412 56 15-45

412 47 16-01

412 46 44-01

412 46 45-01

735 31 08-20

412 44 40-02

412 39 47-01

412 00 13-01

412 44 44-01

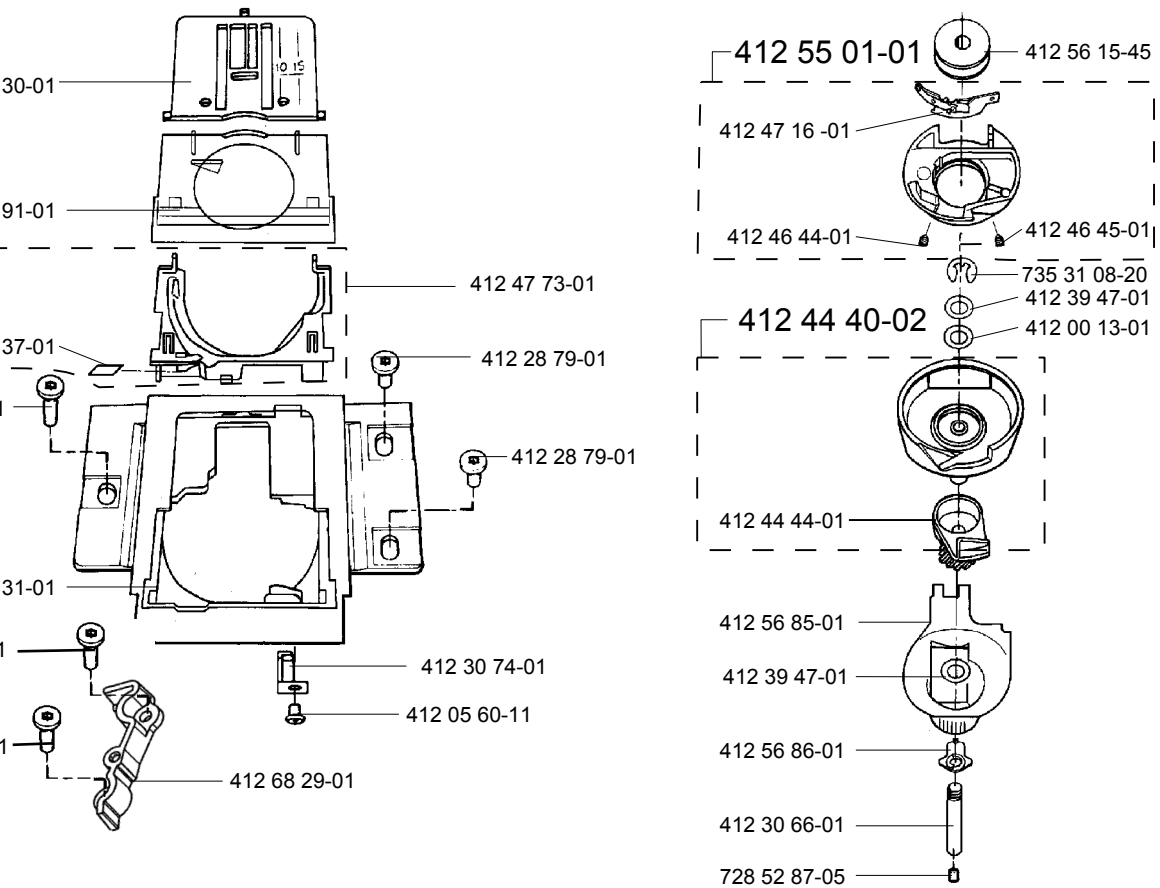
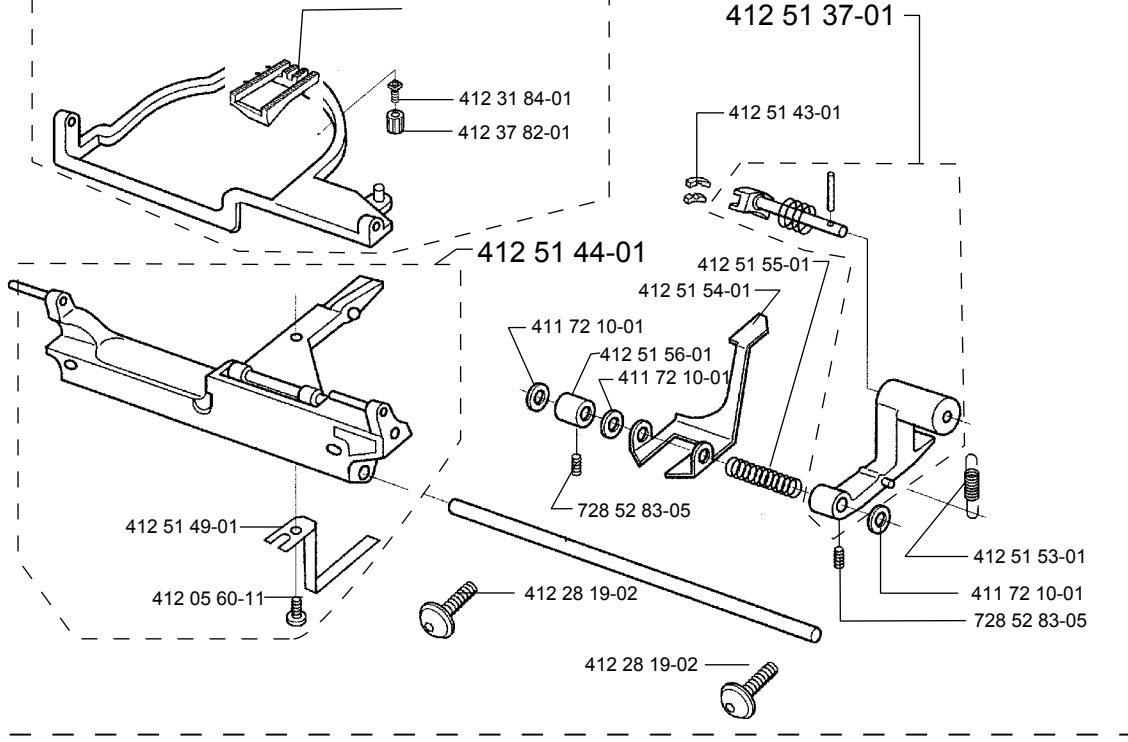
412 56 85-01

412 39 47-01

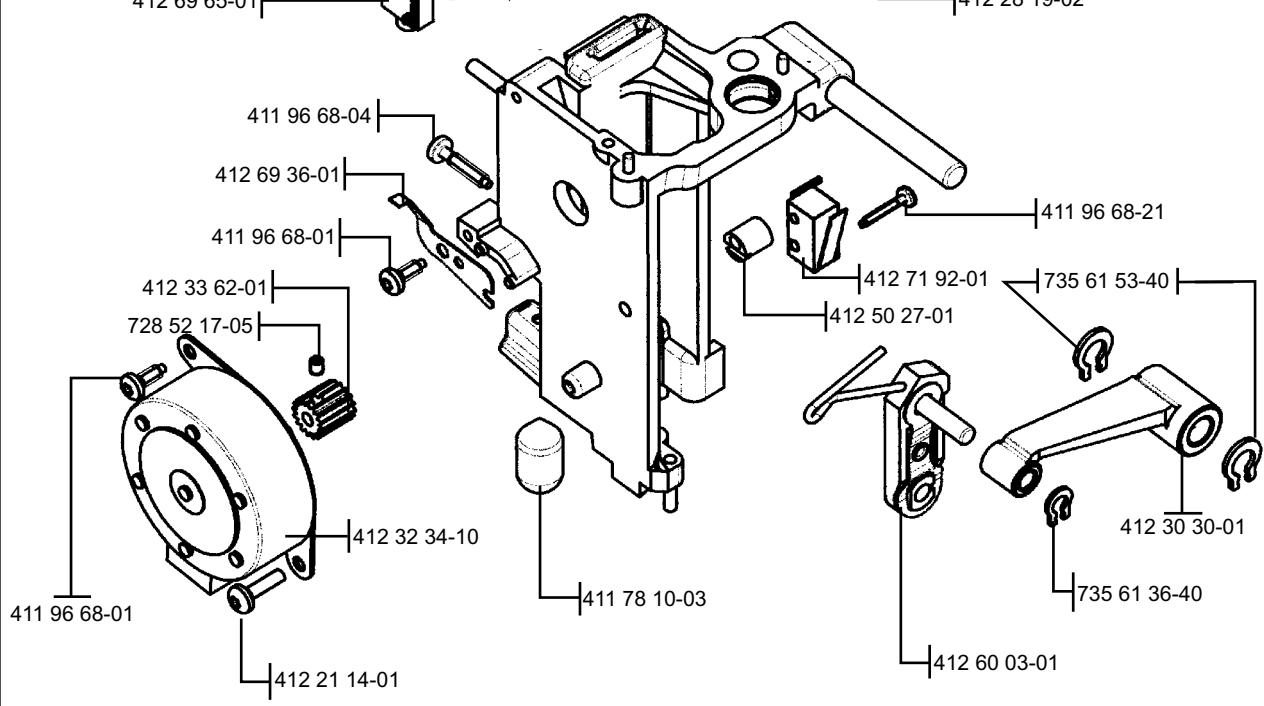
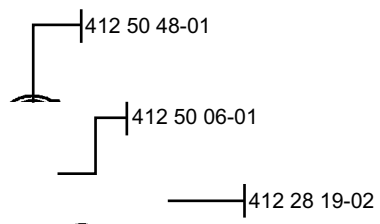
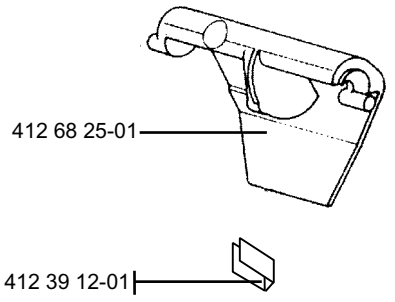
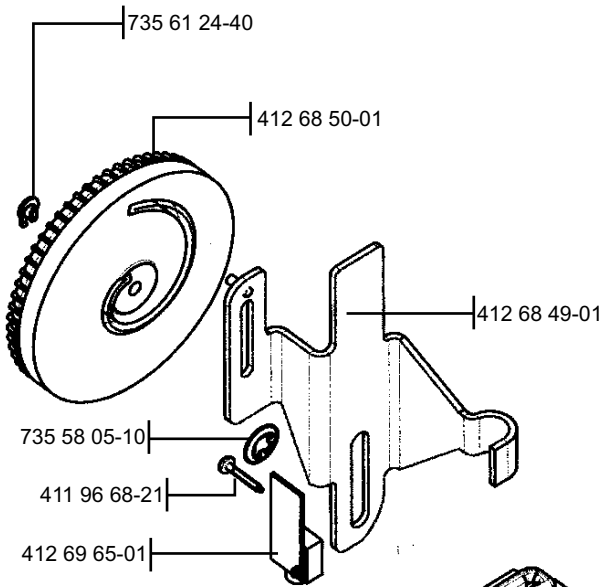
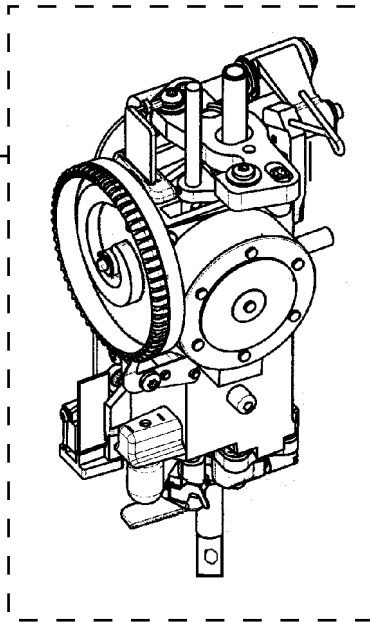
412 56 86-01

412 30 66-01

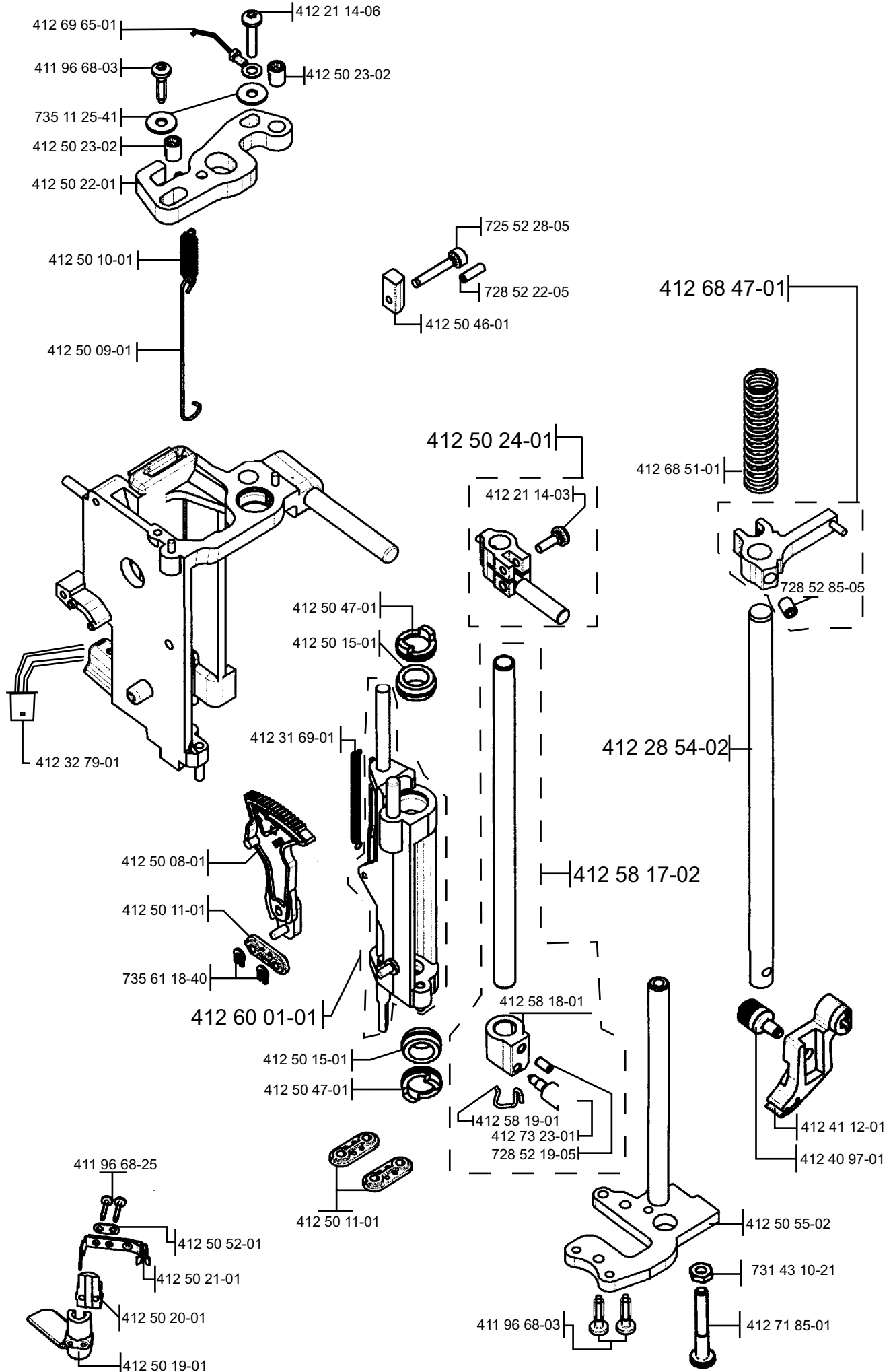
728 52 87-05



412 76 85-02

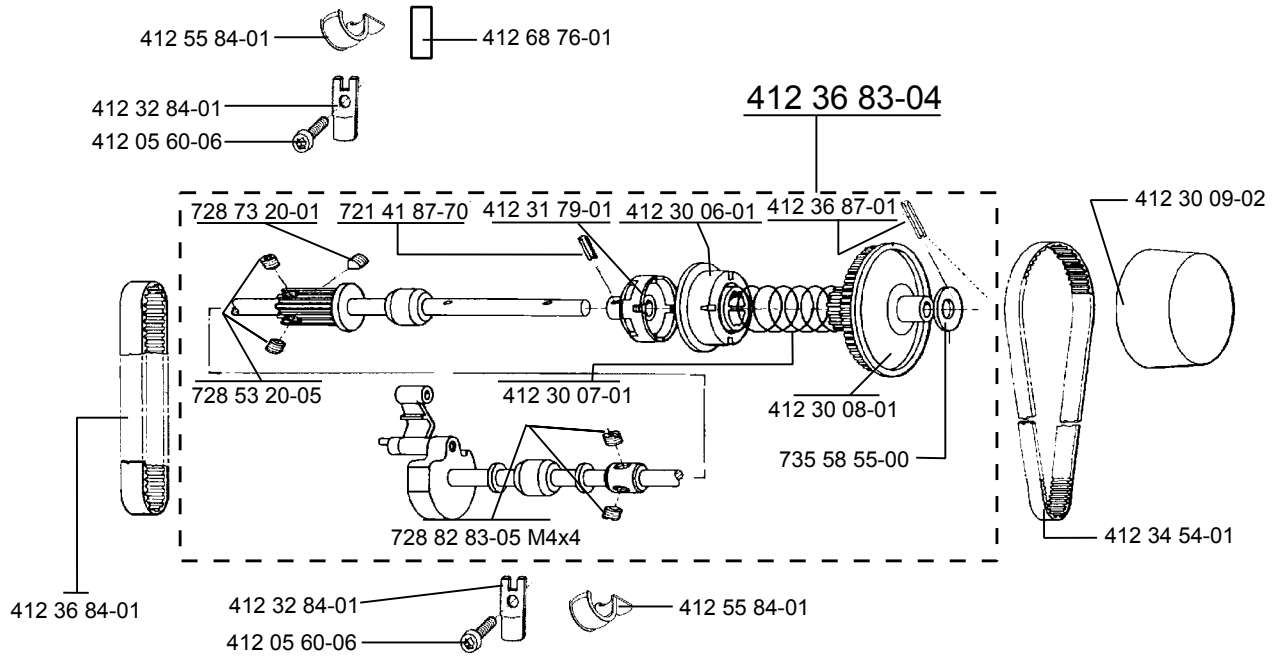


F

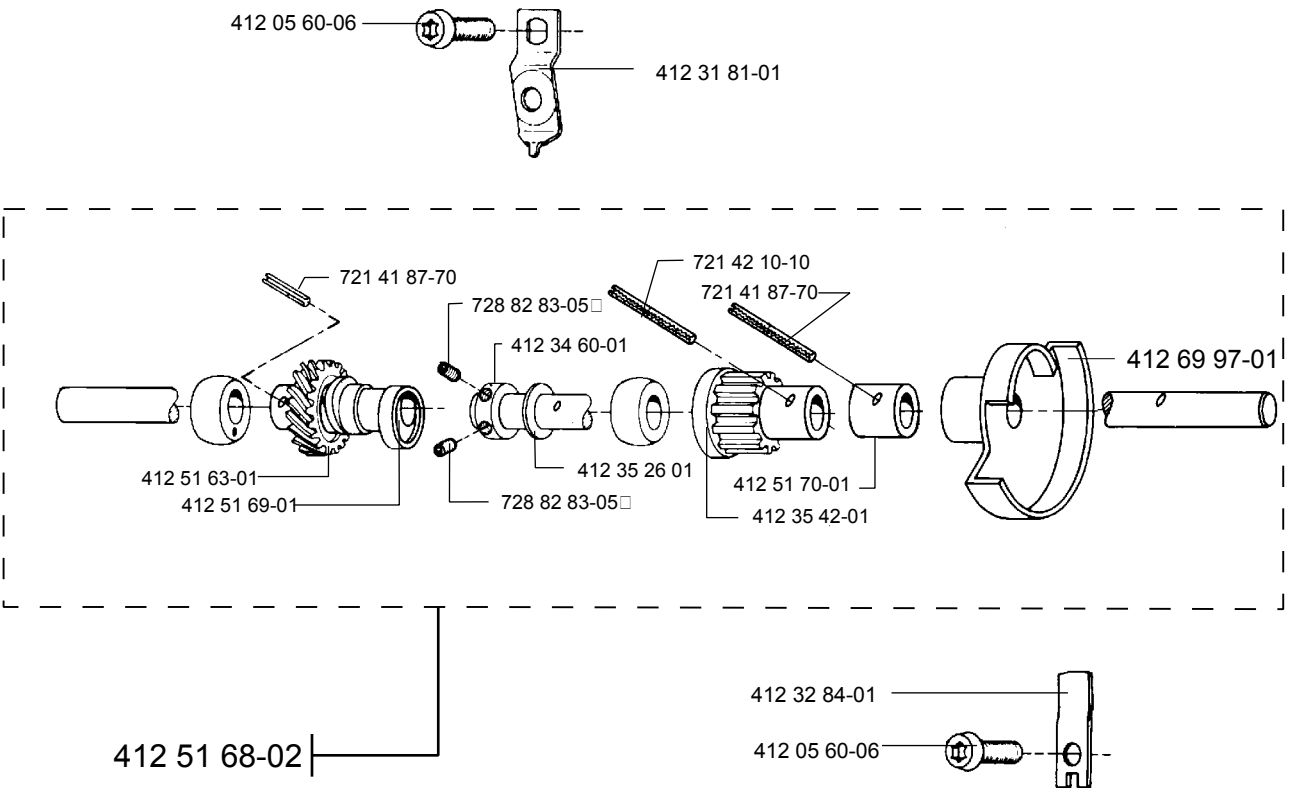


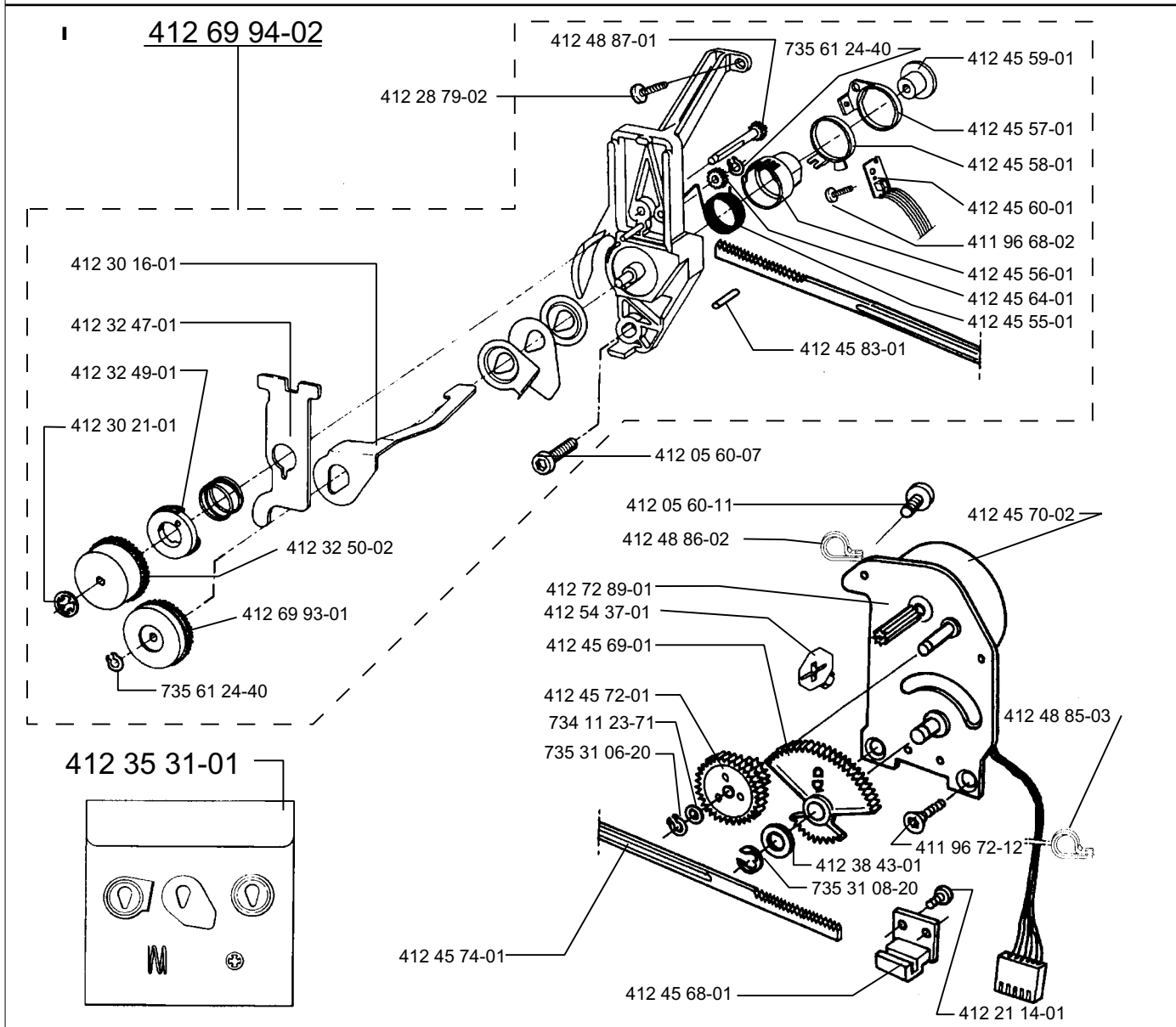
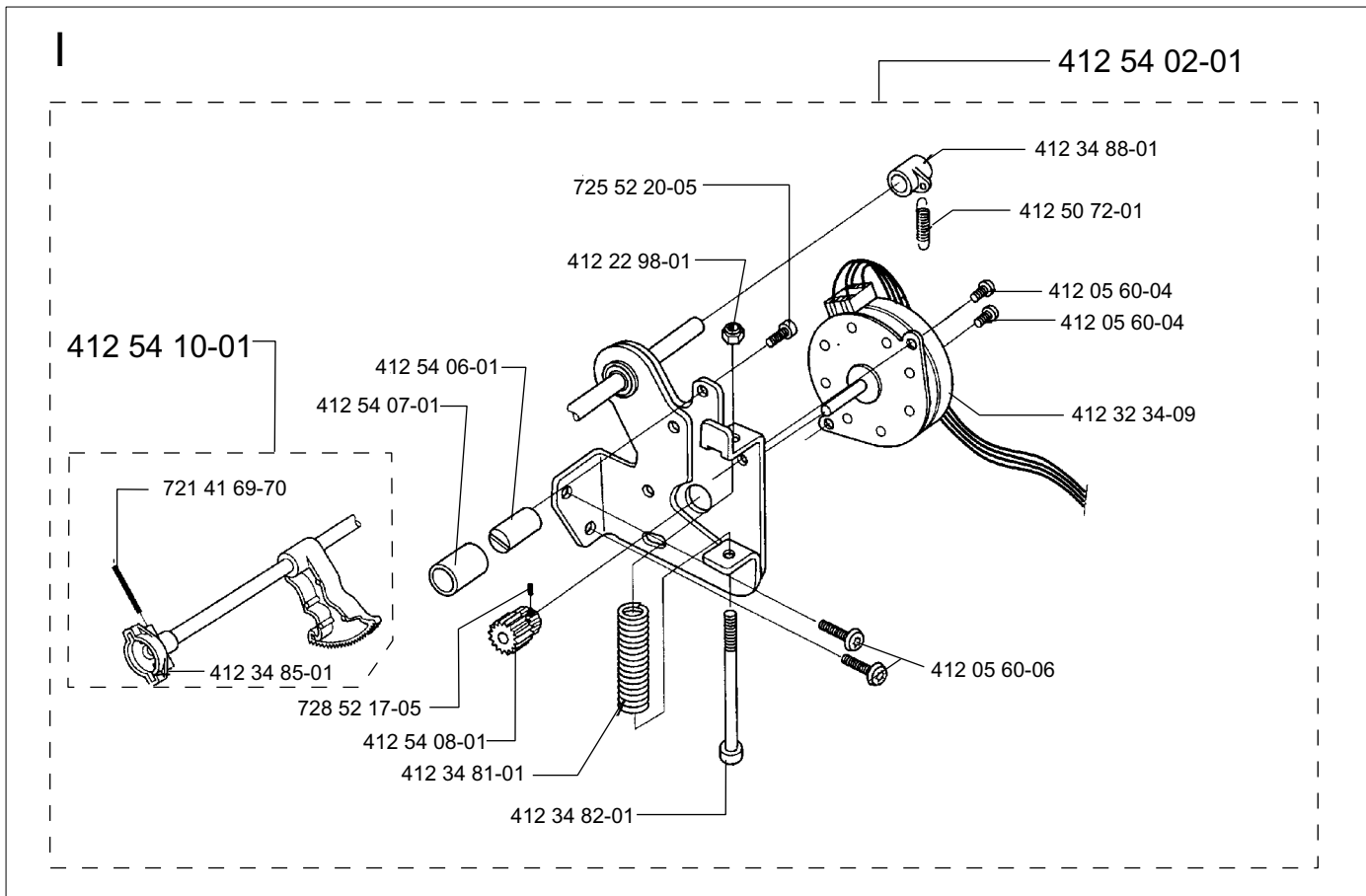


G

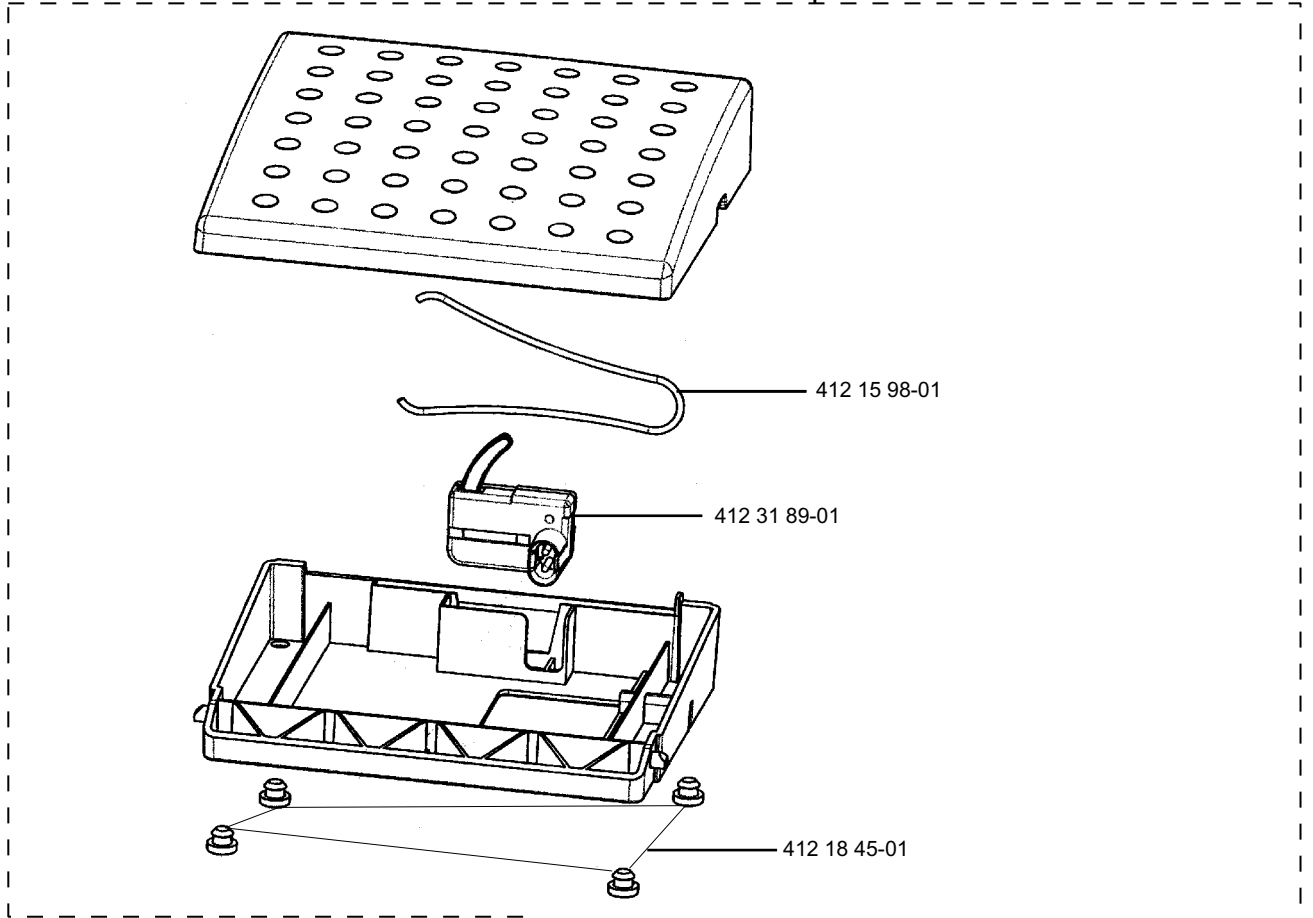


H





412 77 34-01

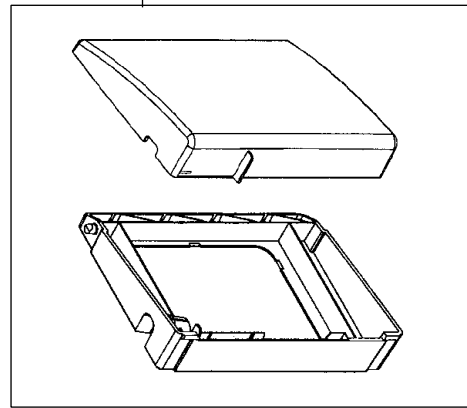


412 15 98-01

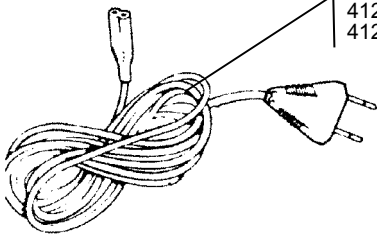
412 31 89-01

412 18 45-01

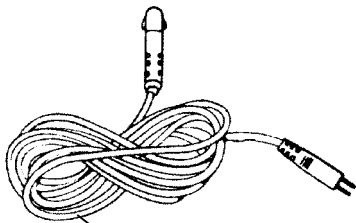
412 80 24-01



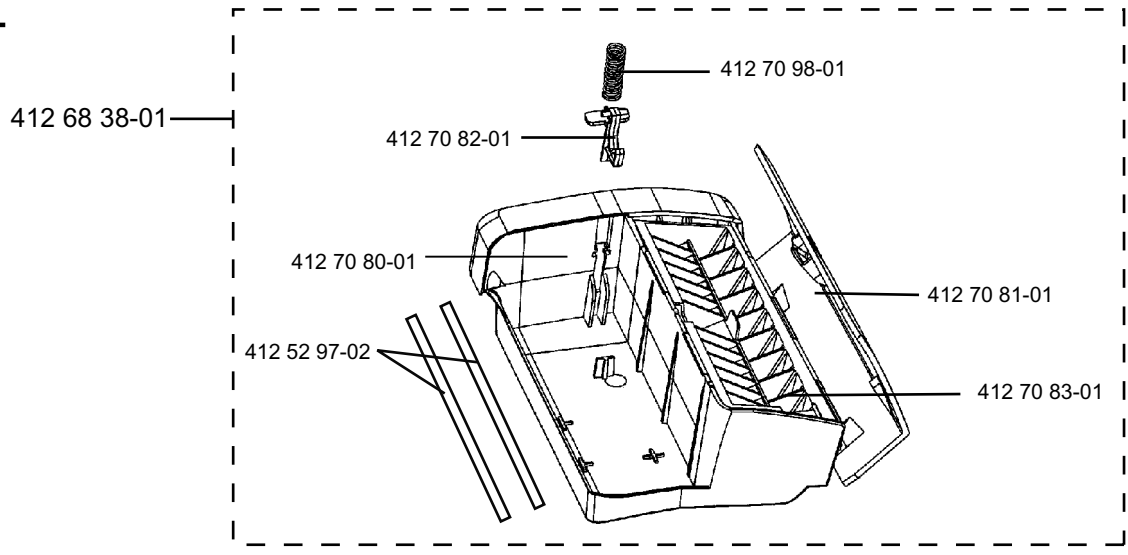
412 15 78-01  
412 15 79-03  
412 15 80-02  
412 15 81-01



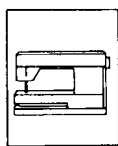
412 31 44-01 STD  
412 31 44-02 USA / CAN



L

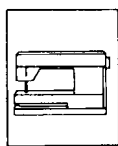


Users Guide

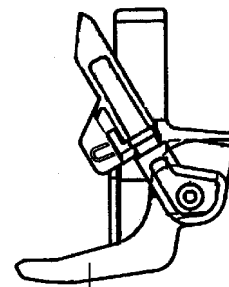


- 412 88 12-01 Users Guide Swe
- 412 88 12-06 Users Guide Dan
- 412 88 12-07 Users Guide Icl
- 412 88 12-10 Users Guide Jap
- 412 88 12-11 Users Guide Fin
- 412 88 12-21 Users Guide Nor
- 412 88 12-26 Users Guide Eng
- 412 88 12-31 Users Guide Fra
- 412 88 12-36 Users Guide Holl
- 412 88 12-41 Users Guide Ita
- 412 88 12-51 Users Guide Germ
- 412 88 12-56 Users Guide Russ
- 412 88 12-58 Users Guide Est
- 412 88 12-82 Users Guide Pol
- 412 88 12-90 Users Guide Cz

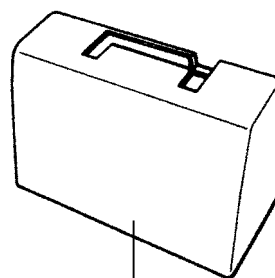
Owners handbook



- 412 88 11-01 Owners Handbook Swe
- 412 88 11-06 Owners Handbook Dan
- 412 88 11-07 Owners Handbook Icl
- 412 88 11-10 Owners Handbook Jap
- 412 88 11-11 Owners Handbook Fin
- 412 88 11-21 Owners Handbook Nor
- 412 88 11-26 Owners Handbook Eng
- 412 88 11-31 Owners Handbook Fra
- 412 88 11-36 Owners Handbook Holl
- 412 88 11-41 Owners Handbook Ita
- 412 88 11-51 Owners Handbook Germ
- 412 88 11-56 Owners Handbook Russ
- 412 88 11-58 Owners Handbook Est
- 412 88 11-82 Owners Handbook Pol
- 412 88 11-90 Owners Handbook Cz



412 72 76-01  
New U-Footer



412 68 37-01  
Hard cover

ACCESSORIES



412 35 31-01  
Thread tension  
set



412 76 68-01  
Plastic bag  
with access.  
Platinum 770



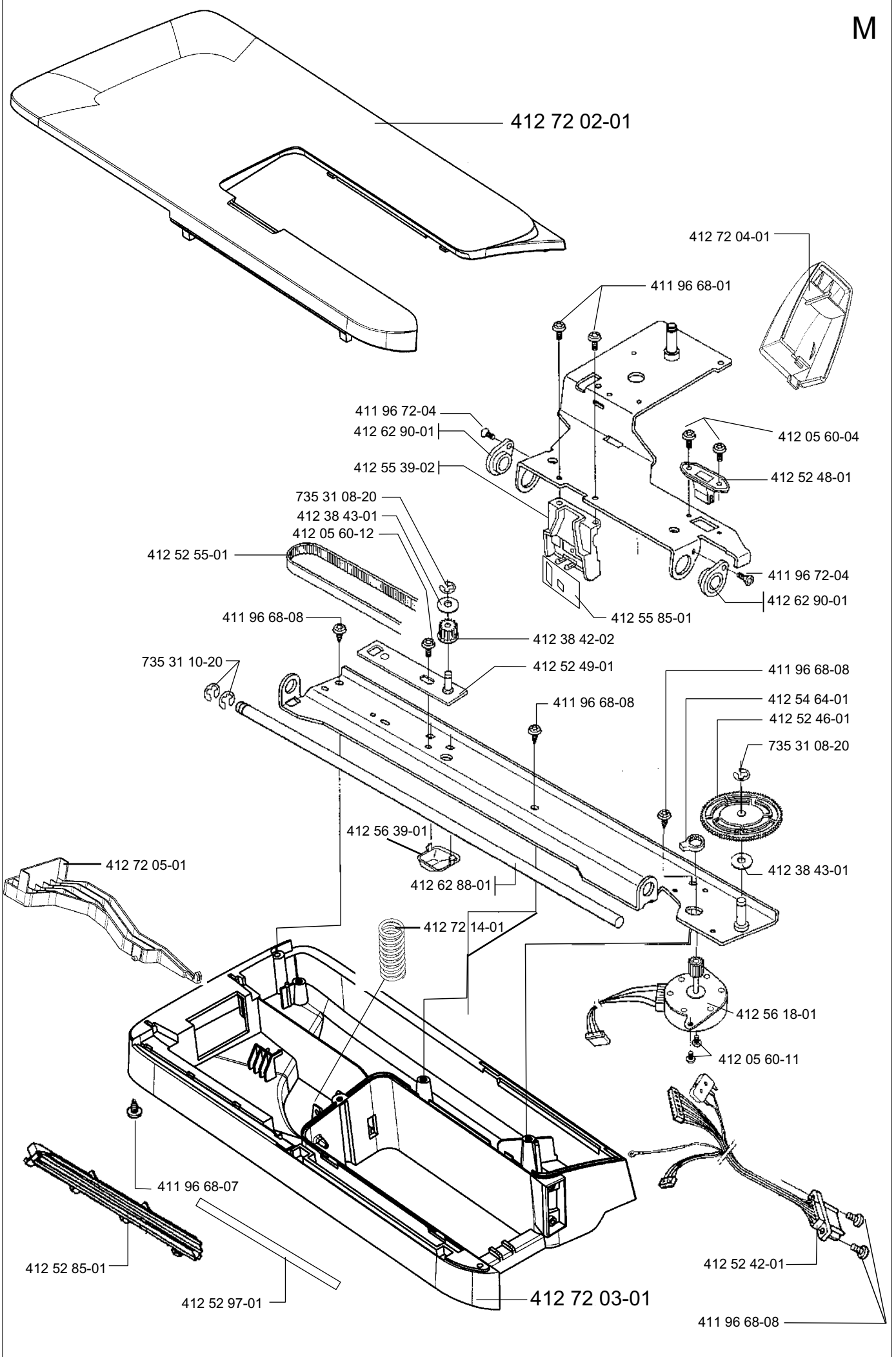
412 56 15-45  
Plastic bobbins  
10 pac



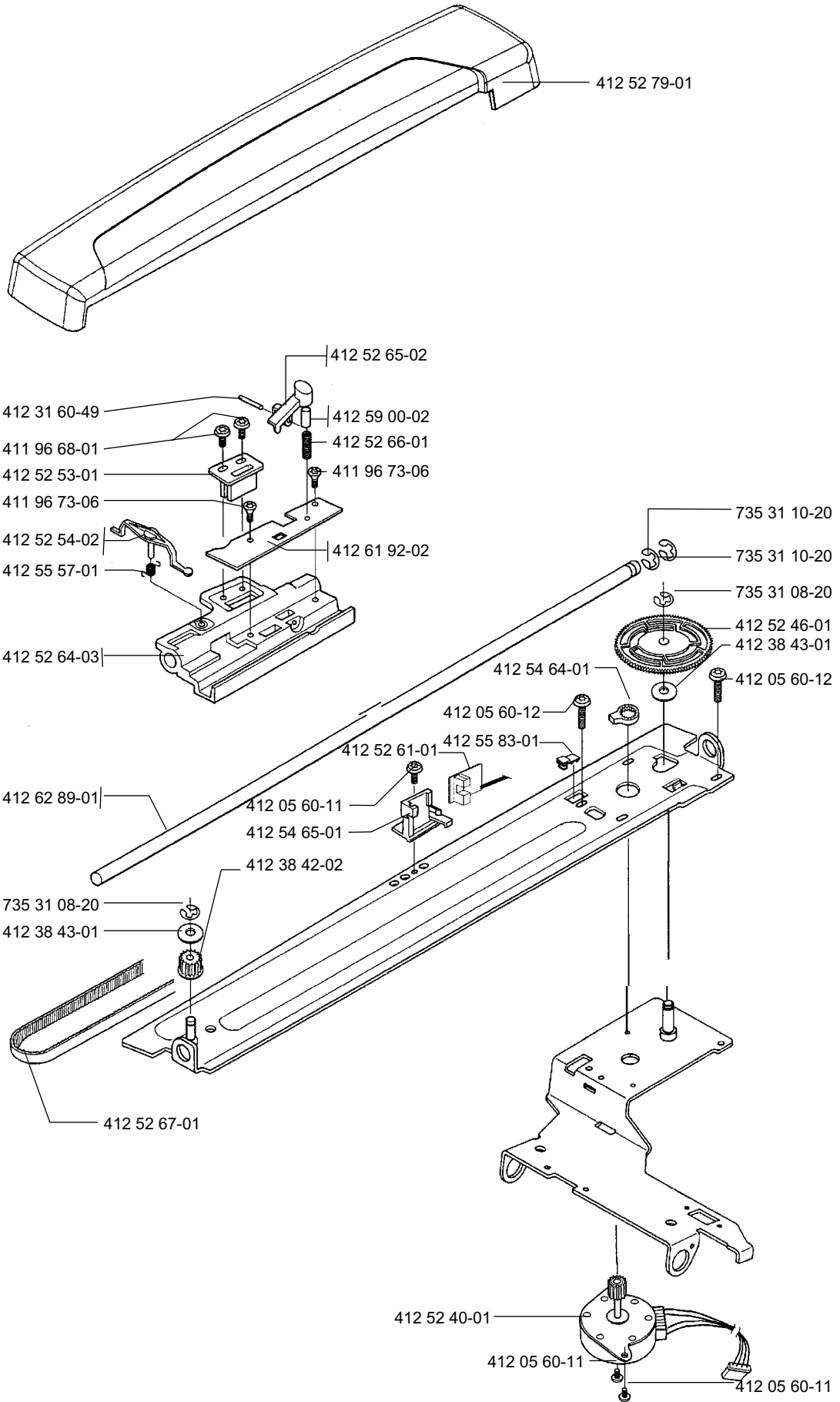
412 57 01-01

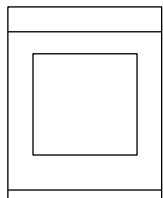
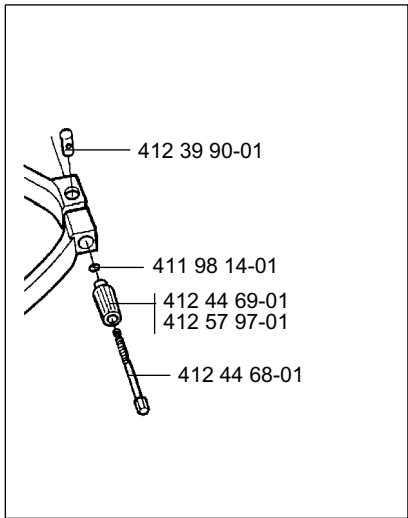
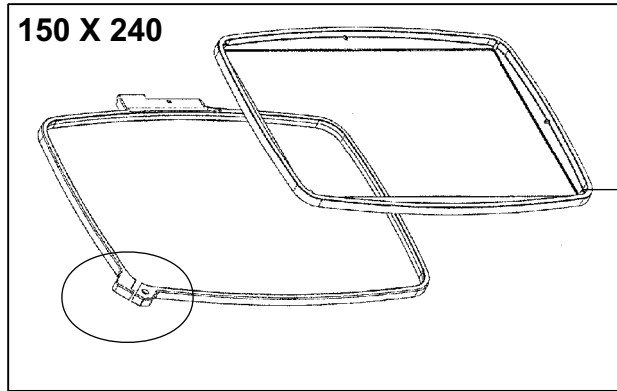


412 36 14-01

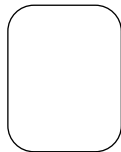


N

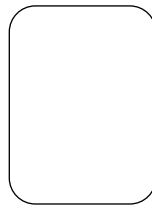




**412 77 63-01**  
Platinum Plus  
Design Book



**412 53 74-01**  
Templet  
100x100



**412 53 75-01**  
Templet  
150x240



**412 56 58-01**  
Zipper bag



**412 56 54-01**  
Accessories  
Siccer, Thread,  
Fabrics , R - foot



**412 65 18-01**  
Bag with 10 Hoop clips



**412 64 89-02**  
d-CARD 100-2



**412 64 89-05**  
d-CARD 100-5